

# CZL - CZP

## TRINCIA LATERALI LATERAL SHREDDER



**MACCHINA BASE:** Pistone idraulico spostamento (2 innesti rapidi).  
Pistone idraulico inclinazione (2 innesti rapidi).

Cardano - Rullo - Slitte - Ruota libera.

**COPPIA CONICA ESTERNA PER UN MAGGIORE SPOSTAMENTO**  
**BIELLA OSCILLANTE PER EVENTUALI URTI.**

**IMPIEGO:** Trincia fossi - Banchine - Vigneti - Kiwi - Frutteti.

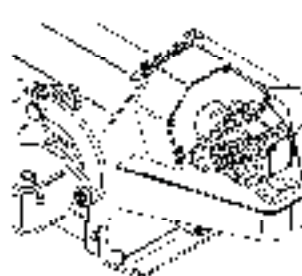
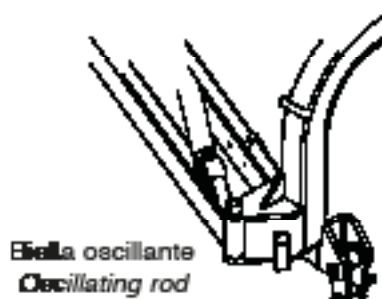
**BASE MACHINE:** SMH hydraulic piston (2 quick clutches).

Inclination hydraulic piston (2 quick clutches).

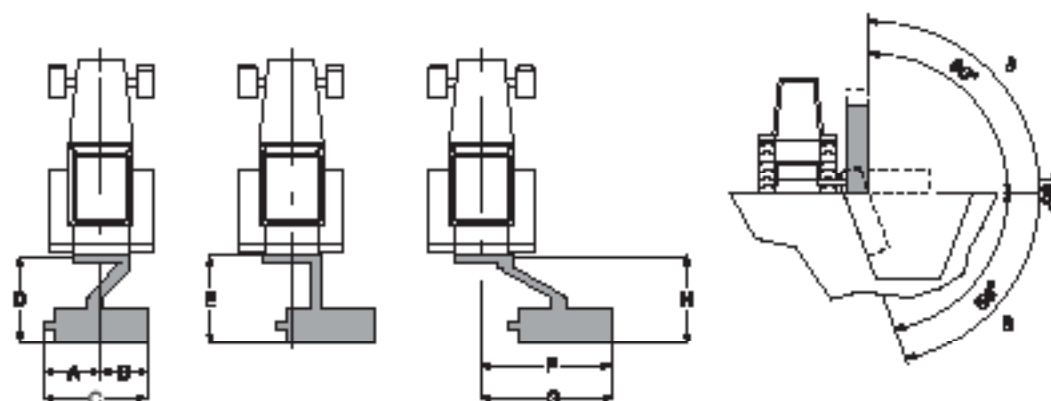
Cardan joint - roller - slides - free wheel.

**EXTERNAL BEVEL GEAR FOR GREATER SHIFT OF THE**  
**OSCILLATING CONNECTING ROD IN CASE OF BUMPS.**

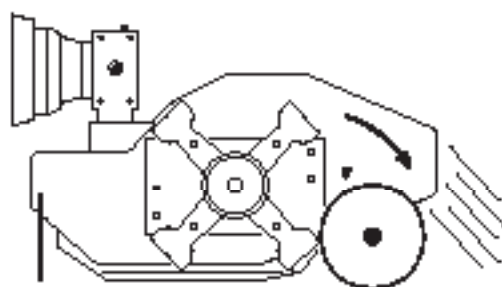
**USE:** Brush chopper for ditches - roadsides - vineyards - kiwi orchards - orchards.




MODELLO MODEL	Lunghezza lavoro Cassette MM/IN	Cilindri		C	S	Y	E	M	CX	Accessori	
		Kg	Hp								Kg
CZL 160	160	1800	55	700	-	-	48	24	-	-	Opt. GEL160Y - GEL160E - GEL160M
CZL 175	175	2000	60	723	-	-	56	28	-	-	Opt. GEL175Y - GEL175E - GEL175M
CZL 190	191	2000	60	740	-	-	56	28	-	-	Opt. GEL190Y - GEL190E - GEL190M
CZL 225	221	2000	65	795	-	-	64	32	-	-	Opt. GEL225Y - GEL225E - GEL225M
CZL 250	252	2500	70	875	-	-	80	40	-	-	Opt. GEL250Y - GEL250E - GEL250M
CZP 200	200	3000	70	828	60	40+20	-	-	20	-	Opt. GEP200G - GEP200S - GEP200M
CZP 225	223	3500	80	880	60	40+20	-	-	20	-	Opt. GEP225G - GEP225S - GEP225M
<p>Cardano / 2 pistoni idraulici (spostamento/inclinazione) inclusi nel prezzo                      Cardan joint / 2 hydraulic pistons (traverse/inclination) are included in the price</p>											
CZX 110	110	700	25	281	-	-	-	16	-	32+16	Opt. GEX110E - GEX110M
CZX 130	132	750	30	301	-	-	-	16	-	32+16	Opt. GEX130E - GEX130M
CZX 150	153	800	35	321	-	-	-	24	-	48+24	Opt. GEX150E - GEX150M
CZX 180	182	900	35	348	-	-	-	24	-	48+24	Opt. GEX180E - GEX180M



MODELLO MODEL	A	B	C	D	E	F	G	H	∅	β
	Cm	Cm	Cm	Cm	Cm	Cm	Cm	Cm		
CZL 160	68	147	216	211	237	271	279	220	90°	50°
CZL 175	68	163	231	211	237	295	299	220	90°	50°
CZL 190	68	177	246	211	237	301	309	220	90°	50°
CZL 225	68	207	275	211	237	331	339	220	90°	50°
CZL 250	68	237	305	211	237	361	369	220	90°	50°
CZP 200	76	186	262	220	247	308	316	229	90°	50°
CZP 225	76	209	285	220	247	331	339	229	90°	50°
CZX 110	61	90	151	152	-	196	-	-	90°	50°
CZX 130	61	112	173	152	-	218	-	-	90°	50°
CZX 150	61	133	194	152	-	238	-	-	90°	50
CZX 180	61	161	222	152	-	266	-	-	90°	50°



ACCESSORI / ACCESSORIES			
	Rullo posteriore di diametro maggiorato ø194 (CZL - CZP) Large diameter rear roller (CZL - CZP)		Cod. RP0194
	Snodo autolivellante (CZL - CZP) Self-leveling joint (CZL - CZP)		Cod. SML
	Giunto omocinetico Constant-velocity joint		Cod. GOC
	Accumulatore oleopneumatico Oleo-pneumatic accumulator		Cod. AOP