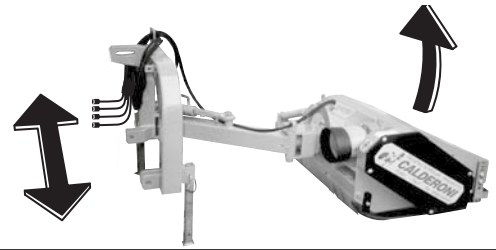


# CX-CL-CP-CA

## TRINCIA LATERALI LATERAL SHREDDER



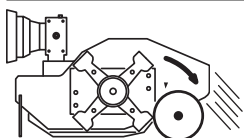
**MACCHINA BASE:** pistone idraulico spostamento (2 innesti rapidi). Pistone idraulico inclinazione (2 innesti rapidi).  
**Cardano - Rullo - Slitte - Ruota libera - Scatola ingranaggi.**  
**IMPIEGO:** Trincia fossi - Banchine - Vigneti - Kiwi - Frutteti.  
**VANTAGGI:** Vasta gamma per trattore 20 Hp al trattore 120 Hp.

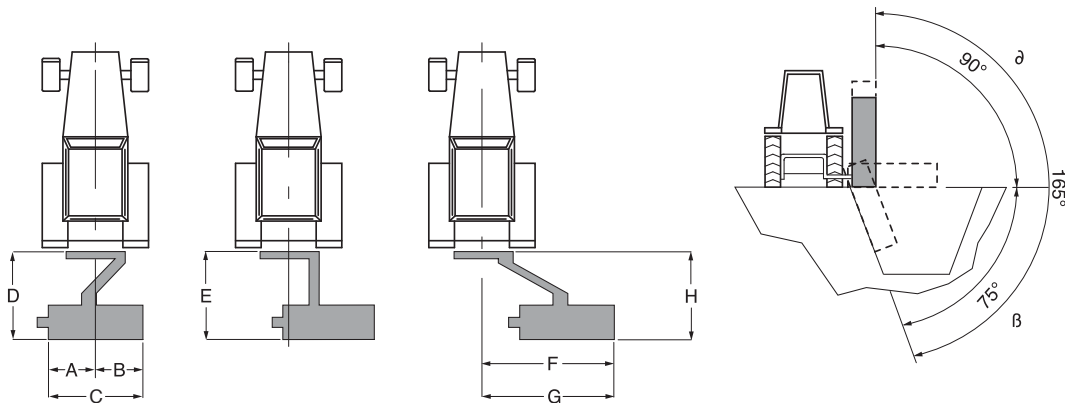
**BASE MACHINE:** hydraulic drive cylinder (2 quick couplings). Hydraulic tilt cylinder (2 quick couplings).  
**Universal joint - Roller - Slides - Freewheel - Gear unit.**  
**DESIGNED for:** mowing ditches, road-side foot paths, vineyards, Kiwi, fruityards.  
**ADVANTAGE:** wide range of models for tractors from 20 Hp to 120 Hp.

| MODELLO<br>MODEL | Larghezza lavoro<br>Operation Width |         |     |         | CX         | Prezzo<br>Price |
|------------------|-------------------------------------|---------|-----|---------|------------|-----------------|
|                  |                                     | Hp      | Kg  | n°      |            |                 |
| CX 130           | 130                                 | 20 / 25 | 265 | 32 + 16 | Cod. CX130 |                 |
| CX 150           | 150                                 | 25 / 30 | 290 | 48 + 24 | Cod. CX150 |                 |
| CX 180           | 180                                 | 35      | 330 | 48 + 24 | Cod. CX180 |                 |

| MODELLO<br>MODEL | Larghezza lavoro<br>Operation Width |       |    |     |    |       |    |    | Prezzo con coltelli, con mazze, con spatole<br>Price with blades, with bars, with paddle blades |                               |
|------------------|-------------------------------------|-------|----|-----|----|-------|----|----|---|-------------------------------|
|                  |                                     | Kg    | Hp | Kg  | n° | n°    | n° | n° |   | n°                            |
| CL 145           | 145                                 | 1.800 | 50 | 530 | -- | --    | 40 | 20 | --  | Cod. CL145Y - ĆL145E          |
| CL 160           | 160                                 | 2.000 | 55 | 590 | -- | --    | 48 | 24 | --  | Cod. CL160Y - ĆL160E          |
| CL 175           | 175                                 | 2.000 | 60 | 620 | -- | --    | 56 | 28 | --  | Cod. CL175Y - CL175E          |
| CL 190           | 191                                 | 2.200 | 60 | 637 | -- | --    | 56 | 28 | --  | Cod. CL190Y - CL190E          |
| CL 210           | 212                                 | 2.300 | 65 | 670 | -- | --    | 56 | 28 | --  | Cod. CL210Y - CL210E          |
| CL 225           | 221                                 | 2.500 | 65 | 690 | -- | --    | 64 | 32 | --  | Cod. CL225Y - CL225E          |
| CL 250           | 252                                 | 2.800 | 70 | 770 | -- | --    | 80 | 40 | --  | Cod. CL250Y - CL250E          |
| CP 150           | 150                                 | 2.500 | 60 | 631 | 36 | 12+24 | -- | -- | 12  | Cod. CP150C - CP150S - CP150M |
| CP 175           | 175                                 | 2.500 | 60 | 680 | 48 | 16+32 | -- | -- | 16  | Cod. CP175C - CP175S - CP175M |
| CP 200           | 200                                 | 3.000 | 60 | 730 | 60 | 20+40 | -- | -- | 20  | Cod. CP200C - CP200S - CP200M |
| CP 225           | 223                                 | 3.500 | 60 | 776 | 60 | 20+40 | -- | -- | 20  | Cod. CP225C - CP225S - CP225M |
| CA 150           | 150                                 | 2.500 | 60 | 661 | 36 | 12+24 | -- | -- | 12  | Cod. CA150C - CA150S - CA150M |
| CA 175           | 175                                 | 2.500 | 60 | 714 | 48 | 16+32 | -- | -- | 16  | Cod. CA175C - CA175S - CA175M |
| CA 200           | 200                                 | 3.000 | 60 | 775 | 60 | 20+40 | -- | -- | 20  | Cod. CA200C - CA200S - CA200M |
| CA 225           | 223                                 | 3.000 | 60 | 863 | 60 | 20+40 | -- | -- | 20  | Cod. CA225C - CA225S - CA225M |


Cardano / 2 pistoni idraulici (spostamento/inclinazione) inclusi nel prezzo  
 Cardan joint / 2 hydraulic pistons (traverse/inclination) are included in the price





| MODELLO<br>MODEL | A  | B   | C   | D   | E   | F   | G   | H   | $\alpha$ | $\beta$ |
|------------------|----|-----|-----|-----|-----|-----|-----|-----|----------|---------|
|                  | Cm | Cm  | Cm  | Cm  | Cm  | Cm  | Cm  | Cm  |          |         |
| CX 130           | 72 | 75  | 147 | 139 | 182 | 185 | 189 | 173 | 90°      | 50°     |
| CX 150           | 72 | 95  | 167 | 139 | 182 | 205 | 209 | 173 | 90°      | 50°     |
| CX 180           | 72 | 123 | 195 | 139 | 182 | 232 | 236 | 173 | 90°      | 50°     |
| CL 145           | 83 | 82  | 165 | 185 | 224 | 207 | 212 | 210 | 90°      | 75°     |
| CL 160           | 83 | 97  | 180 | 215 | 224 | 223 | 228 | 210 | 90°      | 75°     |
| CL 190           | 83 | 128 | 211 | 215 | 224 | 253 | 258 | 210 | 90°      | 75°     |
| CL 175           | 86 | 109 | 195 | 202 | 224 | 257 | 292 | 180 | 90°      | 75°     |
| CL 210           | 83 | 143 | 226 | 215 | 224 | 268 | 273 | 210 | 90°      | 75°     |
| CL 225           | 84 | 157 | 241 | 215 | 224 | 283 | 288 | 210 | 90°      | 75°     |
| CL 250           | 84 | 187 | 271 | 215 | 224 | 313 | 318 | 210 | 90°      | 75°     |
| CP 150           | 90 | 79  | 169 | 215 | 234 | 205 | 209 | 220 | 90°      | 75°     |
| CP 175           | 90 | 104 | 194 | 215 | 234 | 230 | 234 | 220 | 90°      | 75°     |
| CP 200           | 90 | 129 | 219 | 215 | 234 | 255 | 259 | 220 | 90°      | 75°     |
| CP 225           | 90 | 152 | 242 | 215 | 234 | 278 | 282 | 220 | 90°      | 75°     |
| CA 150           | 90 | 79  | 169 | 194 | 234 | 205 | 209 | 220 | 90°      | 75°     |
| CA 175           | 90 | 104 | 194 | 194 | 234 | 230 | 234 | 220 | 90°      | 75°     |
| CA 200           | 90 | 129 | 219 | 194 | 234 | 255 | 259 | 220 | 90°      | 75°     |
| CA 225           | 90 | 152 | 242 | 194 | 234 | 278 | 282 | 220 | 90°      | 75°     |

### ACCESSORI / ACCESSORIES

|   |   |  |             |
|---|---|--|-------------|
|   | <b>Rullo posteriore di diametro maggiorato <math>\varnothing 194</math> (CP - CA)</b><br><i>Rear roller with increased diameter of <math>\varnothing 194</math> (CP-CA)</i> |  | Cod. RPD194 |
|  | <b>Snodo autolivellante</b><br><i>Self-levelling joint</i>  |  | Cod. SAUL   |
|   | <b>Giunto omocinetico</b><br><i>Constant-velocity joint</i>   |  | Cod. GOC    |
|   | <b>Accumulatore oleopneumatico</b><br><i>Oleo-pneumatic accumulator</i>   |  | Cod. ACOP   |

